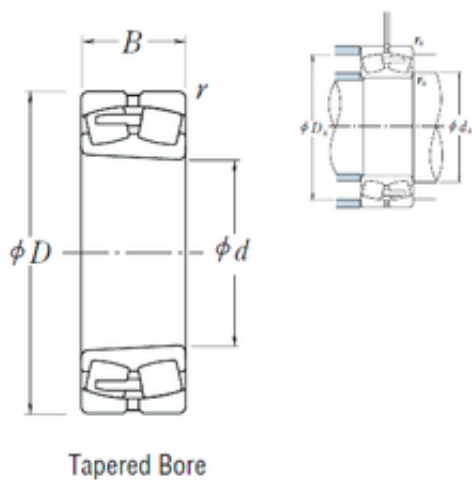




SKF BEARINGS Manufacturing India LTD.



190 mm x 290 mm x 75 mm NSK 23038CAKE4 spherical roller bearings

Bearing No. 23038CAKE4

23038CAKE4 Bearing 2D drawings and 3D CAD models

Size	190x290x75 mm
Bore Diameter	190 mm
Outer Diameter	290 mm
Width	75 mm
d	190 mm
D	290 mm
B	75 mm
C	75 mm
r min.	2,1 mm
da min.	202 mm
Da min	261 mm
Da max.	278 mm
ra max.	2 mm
Weight	17,6 Kg
Basic dynamic load rating (C)	775 kN
Basic static load rating (C0)	1350 kN
(Grease) Lubrication Speed	1100 r/min
(Oil) Lubrication Speed	1400 r/min
Calculation factor (e)	0,24
Calculation factor (Y0)	2,8
Calculation factor (Y2)	4,2