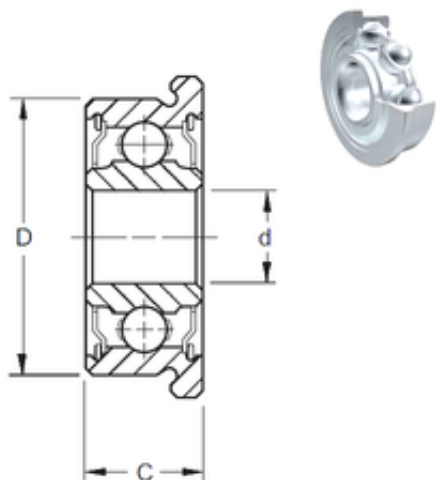




SKF BEARINGS Manufacturing India LTD.



17 mm x 30 mm x 7 mm ZEN F61903-2Z deep groove ball bearings

Bearing No. F61903-2Z

Size	17x30x7 mm
Bore Diameter	17 mm
Outer Diameter	30 mm
Width	7 mm
d	17 mm
D	30 mm
B	7 mm
C	7 mm
Basic dynamic load rating (C)	4,588 kN
Basic static load rating (C0)	2,565 kN
(Grease) Lubrication Speed	23000 r/min

F61903-2Z Bearing 2D drawings and 3D CAD models