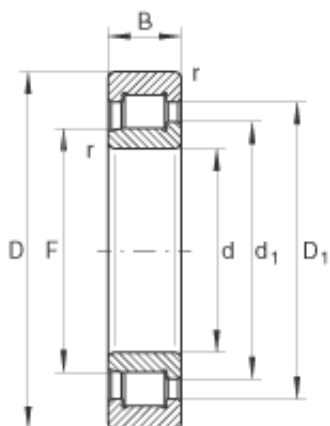




SKF BEARINGS Manufacturing India LTD.



170 mm x 360 mm x 120 mm INA SL192334-TB cylindrical roller bearings

Bearing No. SL192334-TB

Size	170x360x120 mm
Bore Diameter	170 mm
Outer Diameter	360 mm
Width	120 mm
d	170 mm
D	360 mm
B	120 mm
D ₁	295 mm
d ₁	226,6 mm
F	203,55 mm
r _{min}	4 mm
s	7 mm / Axial displacement
m	59,2 kg / Weight
C _r	1830000 N / Dynamic load rating (radial)
C _{0r}	2380000 N / Static load rating (radial)
C _{ur}	265000 N / Fatigue limit load, radial
n _G	1200 1/min / Limiting speed

SL192334-TB Bearing 2D drawings and 3D CAD models